



EN Operating instructions.pages 1 to 6
Original

Content

1 About this document

1.1 Function 1

1.2 Target group: authorised qualified personnel. 1

1.3 Explanation of the symbols used 1

1.4 Appropriate use 1

1.5 General safety instructions 1

1.6 Warning about misuse 1

1.7 Exclusion of liability 2

2 Product description

2.1 Ordering code 2

2.2 Special versions. 2

2.3 Destination and use 2

2.4 Technical data 2

2.5 Safety classification 3

3 Mounting

3.1 Dimensions 3

3.2 Mounting of the position switches 3

3.3 Settings 3

3.4 Mounting of the actuating heads 4

3.5 Actuation of the position switches 4

4 Electrical connection

4.1 General information for electrical connection. 5

4.2 Contact variants. 5

5 Set-up and maintenance

5.1 Functional testing. 5

5.2 Maintenance 5

6 Disassembly and disposal

6.1 Disassembly. 5

6.2 Disposal. 5

7 EU Declaration of conformity

1. About this document

1.1 Function

This operating instructions manual provides all the information you need for the mounting, set-up and commissioning to ensure the safe operation and disassembly of the safety switchgear. The operating instructions must be available in a legible condition and a complete version in the vicinity of the device.

1.2 Target group: authorised qualified personnel

All operations described in this operating instructions manual must be carried out by trained specialist personnel, authorised by the plant operator only.

Please make sure that you have read and understood these operating instructions and that you know all applicable legislations regarding occupational safety and accident prevention prior to installation and putting the component into operation.

The machine builder must carefully select the harmonised standards to be complied with as well as other technical specifications for the selection, mounting and integration of the components.

1.3 Explanation of the symbols used



Information, hint, note:

This symbol is used for identifying useful additional information.



Caution: Failure to comply with this warning notice could lead to failures or malfunctions.

Warning: Failure to comply with this warning notice could lead to physical injury and/or damage to the machine.

1.4 Appropriate use

The products described in these operating instructions are developed to execute safety-related functions as part of an entire plant or machine. It is the responsibility of the manufacturer of a machine or plant to ensure the correct functionality of the entire machine or plant.

The safety switchgear must be exclusively used in accordance with the versions listed below or for the applications authorised by the manufacturer. Detailed information regarding the range of applications can be found in the chapter "Product description".

1.5 General safety instructions

The user must observe the safety instructions in this operating instructions manual, the country-specific installation standards as well as all prevailing safety regulations and accident prevention rules.



Further technical information can be found in the Schmersal catalogues or in the online catalogue on the Internet: www.schmersal.net.

The information contained in this operating instructions manual is provided without liability and is subject to technical modifications.

There are no residual risks, provided that the safety instructions as well as the instructions regarding mounting, commissioning, operation and maintenance are observed.

1.6 Warning about misuse



In case of improper use or manipulation of the safety switchgear, personal hazards or damages to machinery or plant components cannot be excluded when safety switchgear is used. The relevant requirements of the standard ISO 14119 must be observed.

1.7 Exclusion of liability

We shall accept no liability for damages and malfunctions resulting from defective mounting or failure to comply with this operating instructions manual. The manufacturer shall accept no liability for damages resulting from the use of unauthorised spare parts or accessories.

For safety reasons, invasive work on the device as well as arbitrary repairs, conversions and modifications to the device are strictly forbidden; the manufacturer shall accept no liability for damages resulting from such invasive work, arbitrary repairs, conversions and/or modifications to the device.

2. Product description

2.1 Ordering code

This operating instructions manual applies to the following types:

①② 3③④Z-⑤-⑥-⑦-⑧-⑨-⑩

| No. | Option | Description |
|-----|--------|--|
| ① | Z | Snap action ⊖ |
| | T | Slow action ⊖ |
| ② | | Actuator selection, refer to catalogue |
| ③ | 3 | Slim design |
| | 5 | Large design |
| ④ | 5 | Metal enclosure |
| | 6 | Thermoplastic enclosure |
| ⑤ | 11 | 1 NO / 1 NC |
| | 02 | 2 NC |
| | 20 | 2 NO (not suitable for safety applications) |
| | 01/01 | 1 NC left / 1 NC right; positive break, operational on one side only |
| | 12 | 1 NO / 2 NC |
| | 03 | 3 NC |
| ⑥ | H | Slow action with staggered contacts |
| | UE | Slow action with overlapping contacts |
| ⑦ | G24 | With LED |
| ⑧ | | Cable entry M20 |
| | NPT | Cable entry NPT 1/2" |
| | ID | Cut clamp terminals |
| | ST | M12 connector (A coding) |
| | 2310 | M12 connector (B coding) |
| ⑨ | 2138 | Roller lever 7H for safety applications |
| ⑩ | 1637 | Gold-plated contacts |

Z① 332-11Y-②-③

| No. | Option | Description |
|-----|--------|---|
| ① | | Actuator selection, refer to catalogue |
| ② | | Cable entry M20 |
| | ST | M12 connector (A coding) |
| | 2310 | M12 connector (B coding) |
| ③ | 2138 | Roller lever 7H for safety applications |



In accordance with the Machinery Directive, the type plate on safety components is labelled as "Safety component".

Only if the information described in this operating instructions manual are realised correctly, the safety function and therefore the compliance with the Machinery Directive is maintained.

2.2 Special versions

For special versions, which are not listed in the order code below 2.1, these specifications apply accordingly, provided that they correspond to the standard version.

2.3 Destination and use

The position switches with safety function are suitable for sliding and hinged guards, which need to be closed in order to ensure the required operational safety.



The user must evaluate and design the safety chain in accordance with the relevant standards and the required safety level.



The entire concept of the control system, in which the safety component is integrated, must be validated to the relevant standards.

2.4 Technical data

| | |
|--|---|
| Standards: | IEC 60947-5-1, BG-GS-ET-15 |
| Design: | EN 50041 |
| Enclosure: | |
| - 332, 335, 355: | light-alloy diecast, paint finish; |
| - 336: | glass-fibre reinforced thermo-plastic, self-extinguishing |
| Protection class: | |
| - 332: | IP65 |
| - 335, 336, 355: | IP67 |
| Contact material: | Silver |
| Contact type: | change-over contact with double break, type Zb, with galvanically separated contact bridges |
| Switching system: | ⊖ IEC 60947-5-1; slow or snap action, NC contacts with positive break |
| Connection: | screw terminals |
| Cable section: | max. 2.5 mm ² (incl. conductor ferrules) |
| Cable entry: | |
| - 332, 335, 336: | M20 |
| - 355: | 3 x M20 |
| Ambient temperature: | -30 °C ... +80 °C |
| Mechanical life: | 30 million operations |
| Max. switching frequency: | 5000/h |
| Max. fuse rating: | 6 A gG D-fuse |
| Required rated short-circuit current: | 1000 A |
| Rated impulse withstand voltage U _{imp} : | |
| - 335, 355: | 6 kV, -03Z, -12Z: 4 kV |
| - 336: | 6 kV |
| - 332: | 4 kV |
| - Connector: | 0.8 kV |
| Rated insulation voltage U _i : | |
| - 335, 355: | 500 V, -03Z, -12Z: 250 V |
| - 336: | 500 V |
| - 332: | 250 V |
| - Connector: | 50 V |
| Thermal test current I _{the} : | |
| - 335, 355, 336: | 10 A |
| - 332: | 6 A |
| Utilisation category: | AC-15, DC-13 |
| Rated operating current/voltage I _e /U _e : | |
| - 335, 355, 336: | 4 A / 230 V, 4 A / 24 VDC |
| - 332: | 2.5 A / 230 VAC |
| Bounce duration: | |
| - 335, 355, 336: | Snap action: < 2 ms |
| - 332: | < 2.5 ms |
| Switchover time: | |
| - Slow action: 335, 355, 336: | in accordance with actuating speed |
| - Snap action: 335, 355, 336: | < 2 ms |
| 332: | < 1.5 ms |

2.5 Safety classification

| | |
|--|-------------|
| Standards: | ISO 13849-1 |
| B _{10d} (NC contact): | 20.000.000 |
| B _{10d} (NO contact) at 10% ohmic contact load: | 1.000.000 |
| Service life: | 20 years |

$$MTTF_d = \frac{B_{10d}}{0,1 \times n_{op}} \quad n_{op} = \frac{d_{op} \times h_{op} \times 3600 \text{ s/h}}{t_{cycle}}$$

(Specifications can vary depending on the application-specific parameters h_{op} , d_{op} and t_{cycle} as well as the load.)

3. Mounting

3.1 Dimensions

All measurements in mm.

Z 332



Z/T 335



Z/T 336



Z/T 355



3.2 Mounting of the position switches

The mounting dimensions are mentioned at the rear of the enclosure. The fixing screws must be protected against unauthorised tampering. The enclosure must not be used as an end stop. Any mounting position. To ensure a proper functioning, the switch must be installed so that the required switch travel is obtained. For safety functions, at least the positive break travel indicated in the switch travel diagram (refer to catalogue) must be obtained. All components have sufficient after-travel to compensate for inaccuracies in the guidance of the actuating system. The actuation of the switch beyond its end stop however must be avoided.



Please observe the remarks of the standards ISO 12100, EN 953 and ISO 14119.

3.3 Settings

Changing the switching function (4VH, 4V7H, 4V10H)

Position switches with "4V" actuating head can be set so that they are switched either only clockwise, only counterclockwise or in both directions. The following steps are required:

1. Unscrew the screws and remove the actuating head
2. Change the position of both inner plastic parts
3. Replace the actuating head and tighten the screws

Changing the switching function



switching in both directions



switching only clockwise



switching only counterclockwise

3.4 Mounting of the actuating heads

Repositioning the actuating head (R, K, 1K, V, 4V.H)



The actuating head can be repositioned by $4 \times 90^\circ$. Unscrew the four screws of the actuating head (Philips tip profile), reposition the actuating head in the desired position and retighten the four screws (tightening torque 1.5 Nm).

Repositioning the roller lever (H)



The (offset) roller arm may be reversed, so that the roller faces the inside of the arm.

Positioning the lever (.H)



The roller lever can be repositioned over 360° on the toothed shaft in 10° steps. Unscrew the hexagonal screw approx. 4 mm, reposition the lever in the desired position and retighten the screw.

Length-adjustable lever (7H, 10H)

To adjust the length of the lever, unscrew the fixing screw of the lever. Firmly retighten the screw after the length adjustment.



Position switches with 7 H or 10 H actuator are not suitable for safety functions. Ordering suffix for actuator 7H with positive break: -2138.

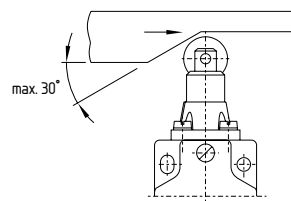
3.5 Actuation of the position switches

Top plunger

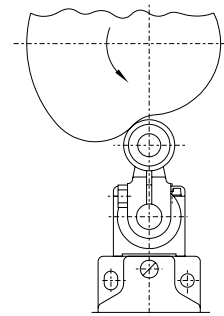


A Stop

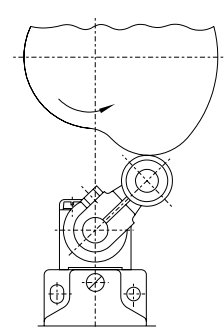
Roller plunger



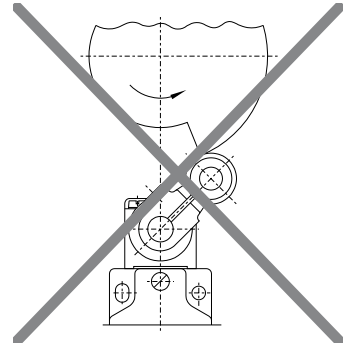
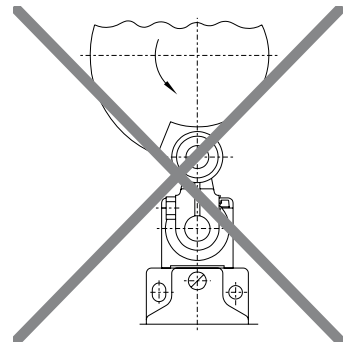
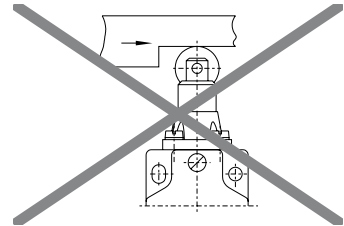
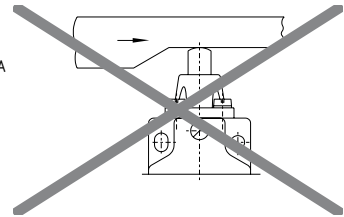
Cam disc



front side



Trailing edge



4. Electrical connection

4.1 General information for electrical connection



The electrical connection may only be carried out by authorised personnel in a de-energised condition.

The contact labelling can be found in the wiring compartment of the switch. For the cable entry, suitable cable glands with an appropriate degree of protection must be used. After wiring, dust and soiling must be removed from the wiring compartment. The safety switches with thermoplastic enclosure of the Z/T 336 series are double-insulated. The use of a protective ground connector therefore is not authorised.



According to EN 60204-1, the versions with connector must only be used in PELV circuits.

Z/T 336: opening the cover



4.2 Contact variants

The contacts are shown in a non-actuated condition.



Z 332-11y



Z/T 335-02z



T 335-20z

Z/T 335-11z

Z/T 336-02z

T 336-20z

Z/T 336-11z

Z/T 355-02z

T 355-20z

Z/T 355-11z

T 355-20z

T4VH 336-11yr-1058

T4VH 336-02yr-1058

T4VH 336-20yr-1058



T 335-12z



T 335-03z

T 355-12z

T 355-03z



Position switches with two NO contacts (-20) are not suitable for safety functions.

Connector Z 332

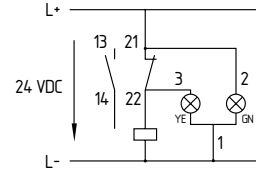


Connector Z/T 335, 336, 355



Z/T 335, 355 with LED (ordering suffix G24)

Protected against incorrect polarity and voltage spikes



5. Set-up and maintenance

5.1 Functional testing

The safety function of the safety components must be tested. The following conditions must be previously checked and met:

1. Check the switch enclosure for damage
2. Check the free movement of the actuating element
3. Check the integrity of the cable entry and connections

5.2 Maintenance

A regular visual inspection and functional test, including the following steps, is recommended:

1. Check the free movement of the actuating element
2. Remove particles of dust and soiling
3. Check cable entry and connections

Damaged or defective components must be replaced.

6. Disassembly and disposal

6.1 Disassembly

The safety switchgear must be disassembled in a de-energised condition only.

6.2 Disposal

The safety switchgear must be disposed of in an appropriate manner in accordance with the national prescriptions and legislations.

7. EU Declaration of conformity

| | | | |
|--|---|--|-------------------------------|
| EU Declaration of conformity | |  | |
| Original | K.A. Schmersal GmbH & Co. KG Möddinghofe 30 42279 Wuppertal Germany Internet: www.schmersal.com | | |
| We hereby certify that the hereafter described components both in their basic design and construction conform to the applicable European Directives. | | | |
| Name of the component: | Z 332, Z/T 335, Z/T 336, Z/T 355 | | |
| Type: | See ordering code | | |
| Description of the component: | Positive break position switch for safety functions or position switch without safety function | | |
| Relevant Directives: | | Valid up to April 19, 2016 | Valid as of April 20, 2016 |
| | Machinery Directive ¹⁾ | 2006/42/EC | 2006/42/EC |
| | Low Voltage Directive ²⁾ | 2006/95/EC | 2014/35/EU |
| | RoHS-Directive | 2011/65/EU | 2011/65/EU |
| Affixing of the CE conformity mark: | ¹⁾ for safety components, whose type plate is labelled as "Safety component" ²⁾ for position switches without safety function | | |
| Applied standards: | DIN EN 60947-5-1:2010 | | |
| Person authorized for the compilation of the technical documentation: | Oliver Wacker Möddinghofe 30 42279 Wuppertal | | |
| Place and date of issue: | Wuppertal, March 15, 2016 | | |
| |  | | |
| | Authorised signature Philip Schmersal Managing Director | | |

Z332-D-EN



The currently valid declaration of conformity can be
downloaded from the internet at www.schmersal.net.



K.A. Schmersal GmbH & Co. KG
Möddinghofe 30, D - 42279 Wuppertal
Postfach 24 02 63, D - 42232 Wuppertal

Phone: +49 - (0)2 02 - 64 74 - 0
Telefax: +49 - (0)2 02 - 64 74 - 1 00
E-Mail: info@schmersal.com
Internet: <http://www.schmersal.com>